

armechsolutions.

**Inventor tips that if you don't
already know, you should**

#4 New Window

armechsolutions.com

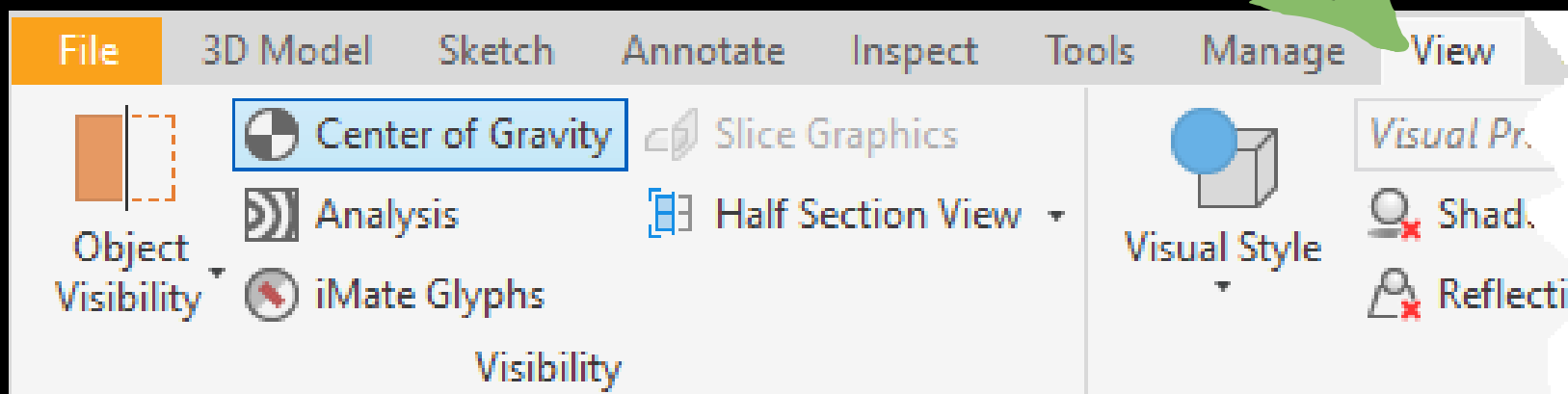
New Window :

What is it and what can you use it for?

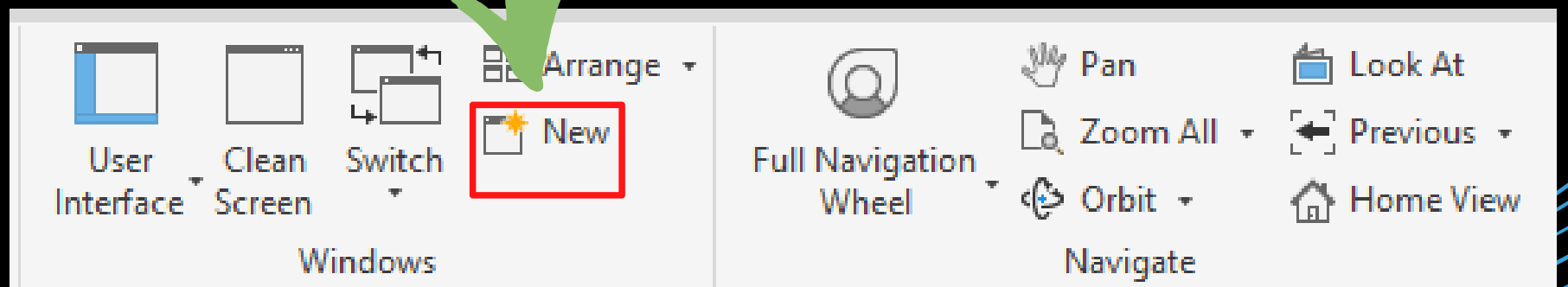
- This one does what it says on the tin, it is a new window to show a different view
- It saves consistent changing, rotating and orbiting your view
- A new window is an easy alternative to creating a view representation
- Making a change in your model?
Inventor will automatically update all windows

Step 1

Head to
view

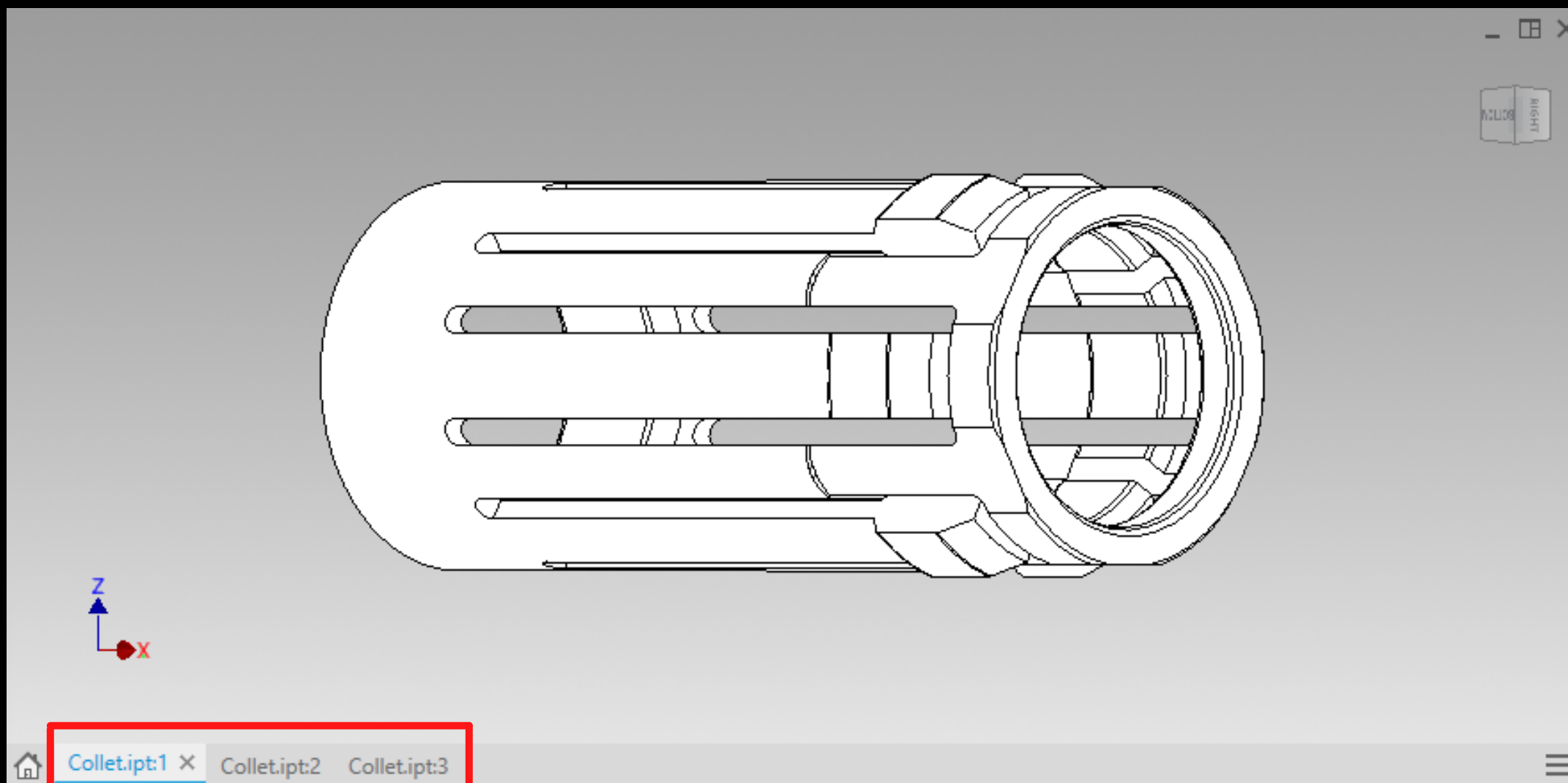


Within the
Windows Panel
Click on "New"



Step 2

Find your new windows in the tabs





armechsolutions.

Contact us for a free consultation, and find out how we can help you

MAKE IT HAPPEN



+44 141 221 9205



info@armechsolutions.com

armechsolutions.com