



armechsolutions.

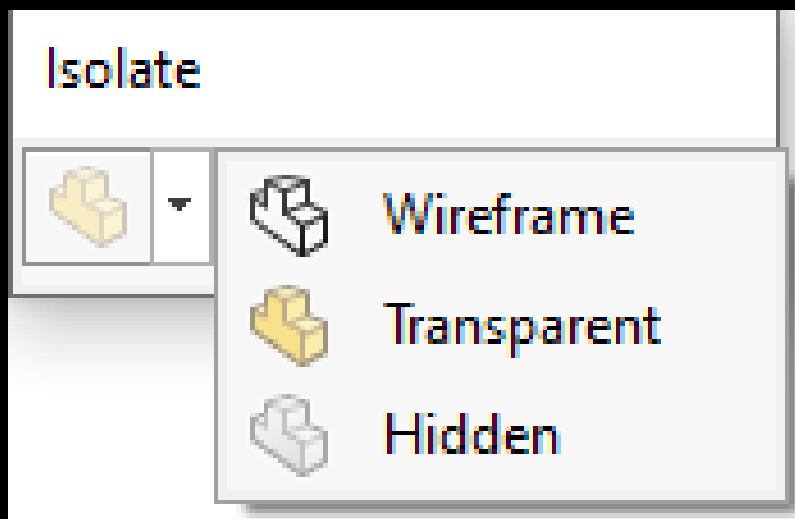
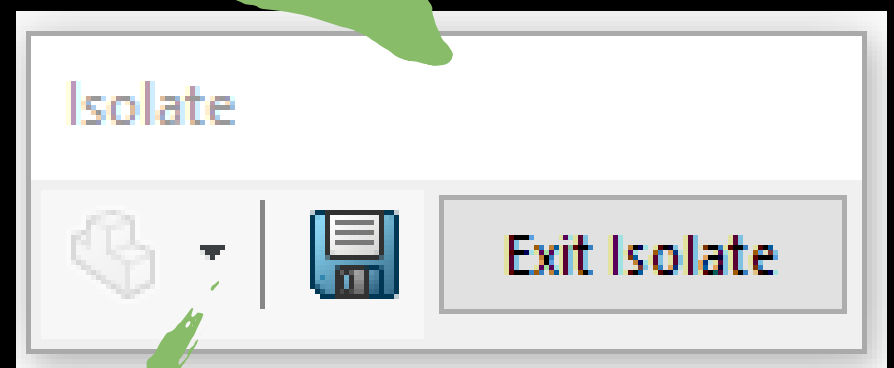
**Solidworks tips that if you
don't already know, you
should!**

**#1 View Options in
Isolating Mode**

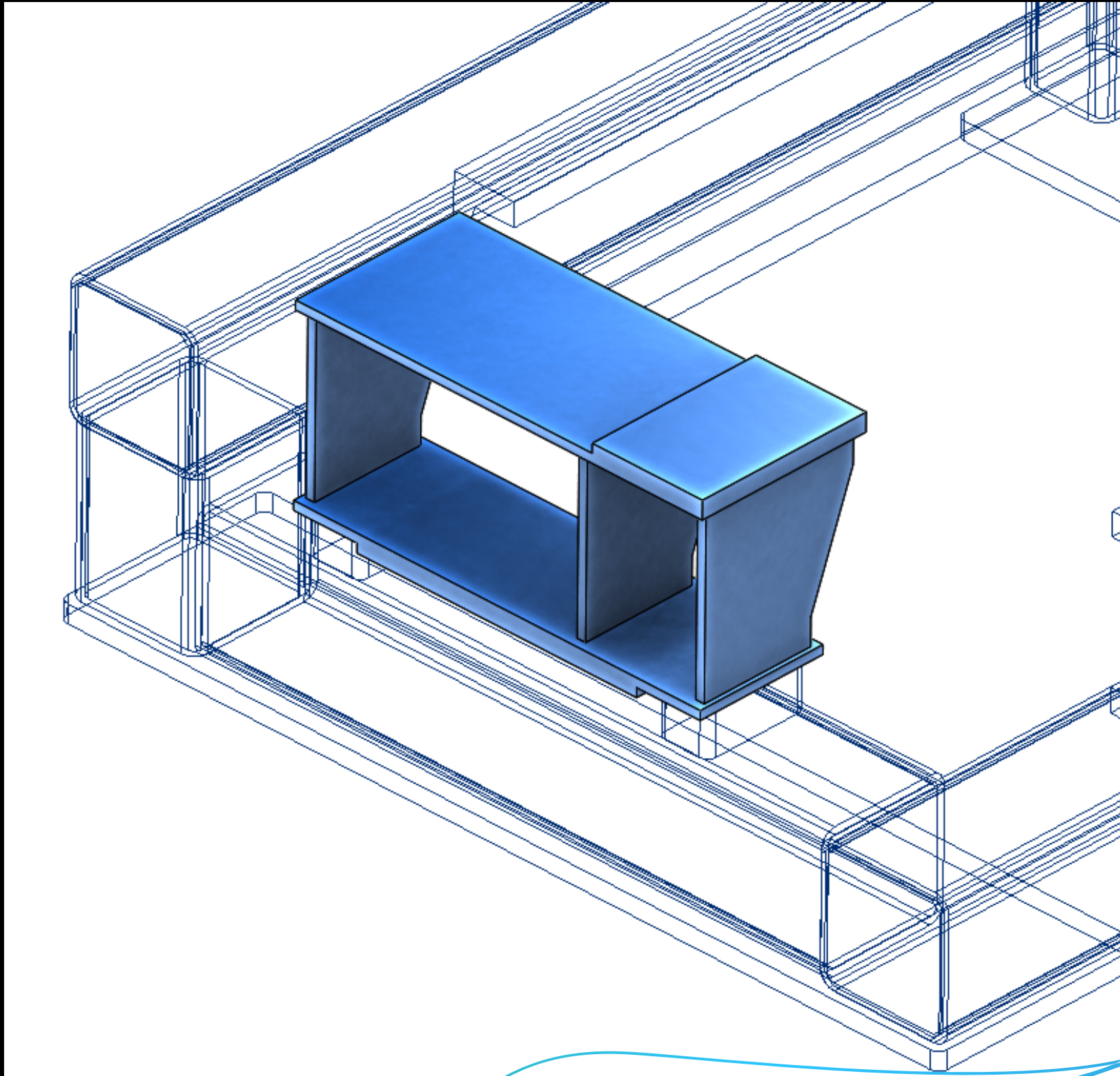
armechsolutions.com

#1 View Options in Isolating Mode

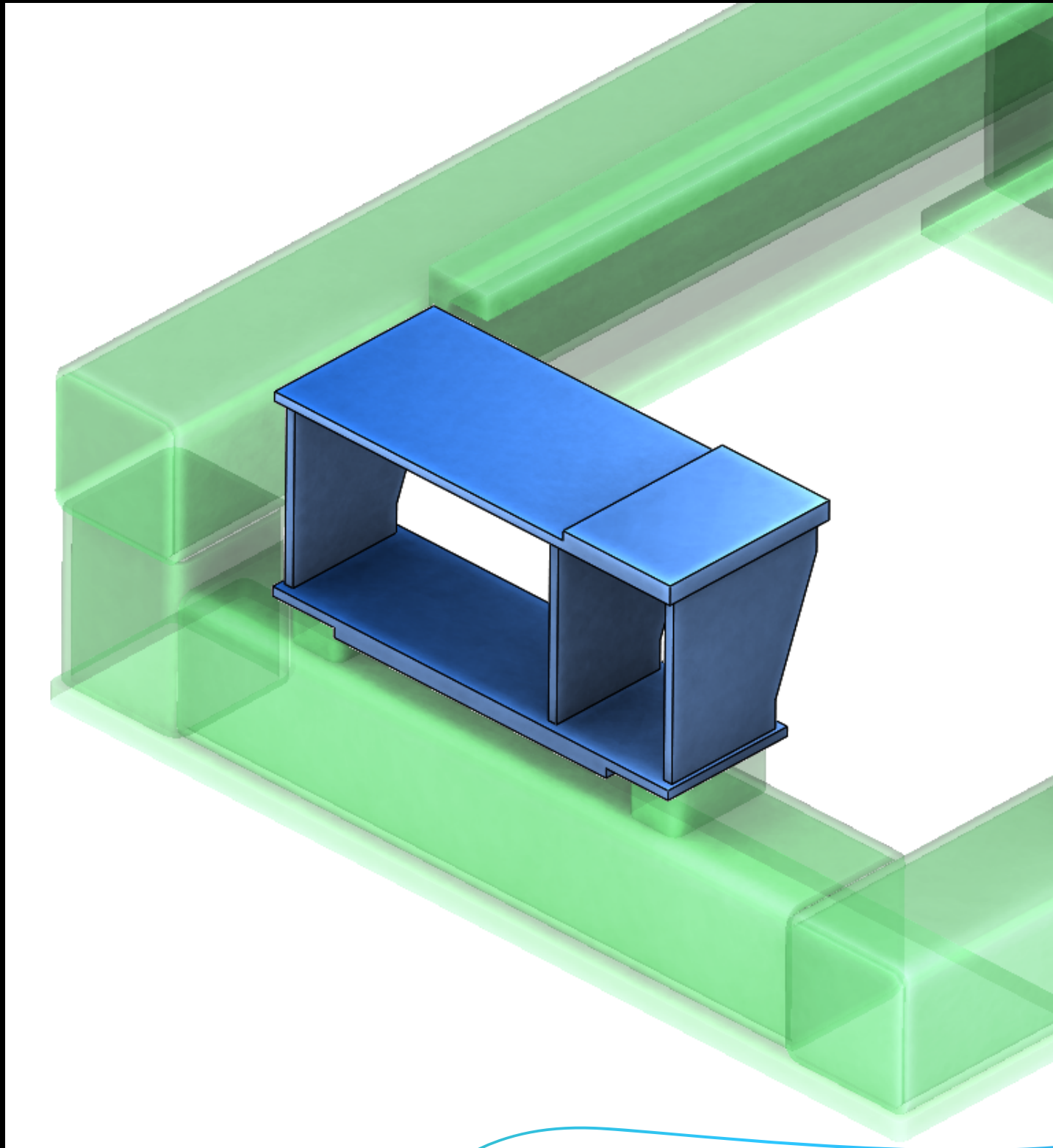
Right click on part and select "isolate"



Wireframe

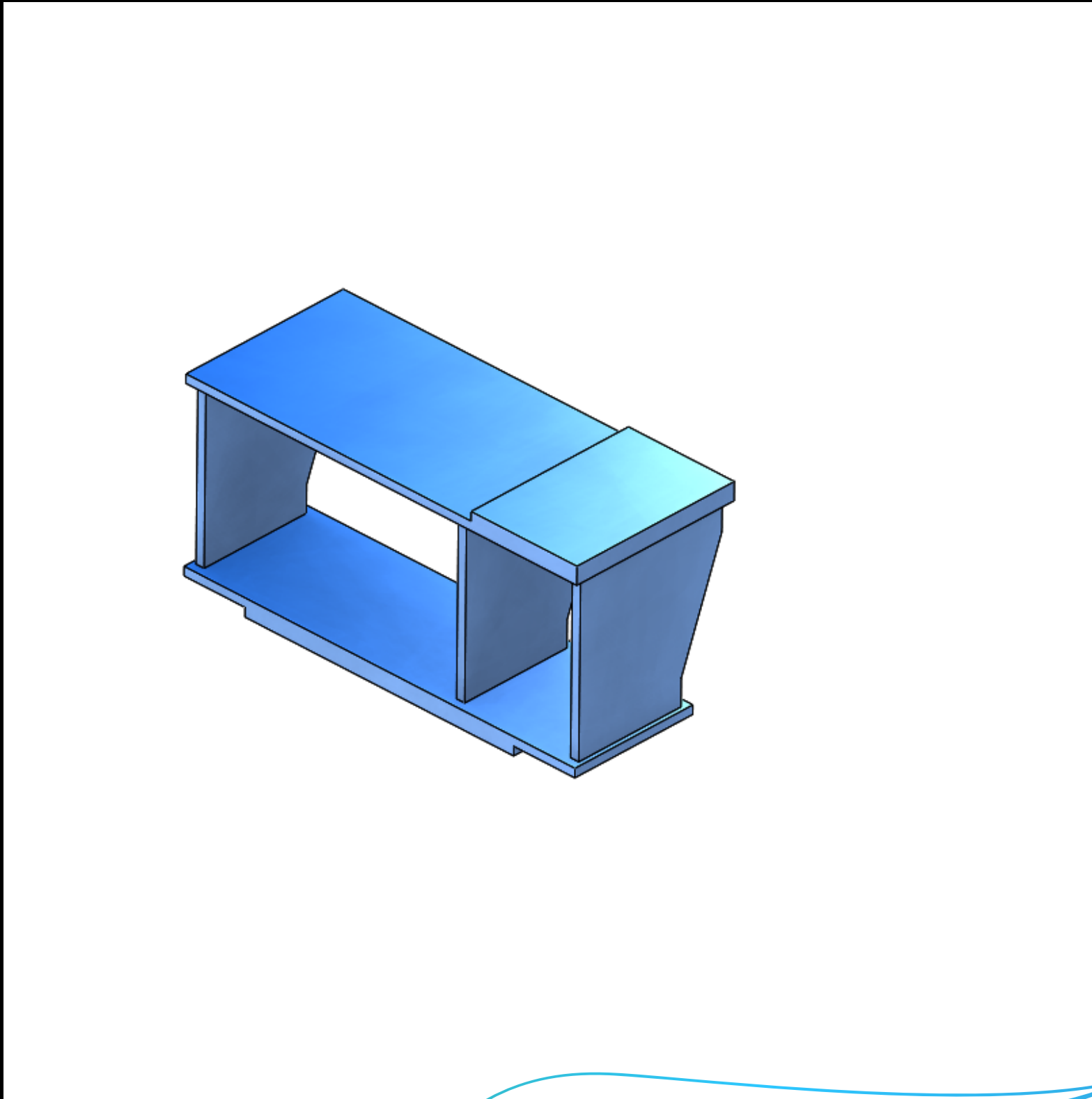


Transparent



arMechsolutions.com

Hidden





armechsolutions.

Contact us for a free
consultation, and find out how
we can help you



MAKE IT HAPPEN



+44 141 221 9205



info@armechsolutions.com

armechsolutions.com